

CONSEW *Since 1898*®

CONSOLIDATED SEWING MACHINE CORP.

— INDUSTRIAL SEWING & CUTTING EQUIPMENT

PARTS LIST

CN-27A

CONSEW *Since 1898*®

CONSOLIDATED SEWING MACHINE CORP.

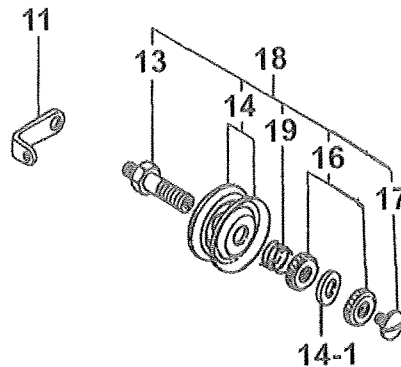
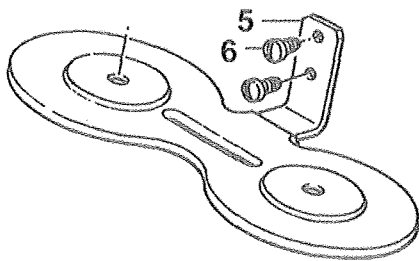
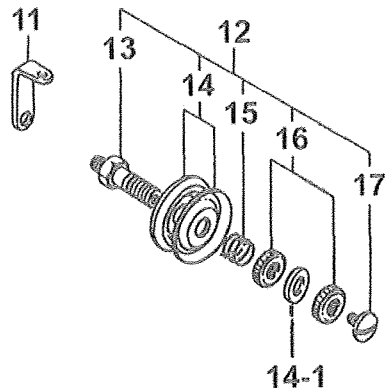
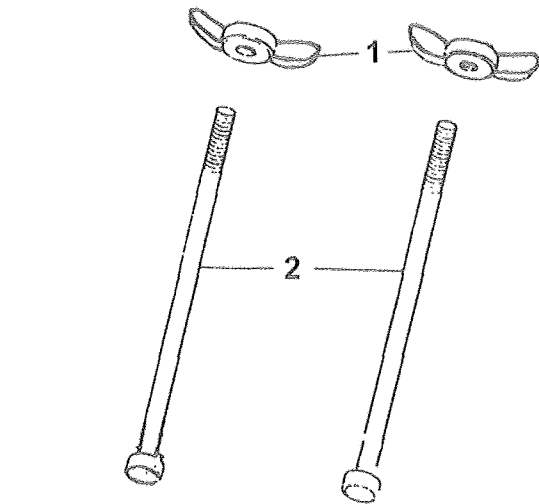
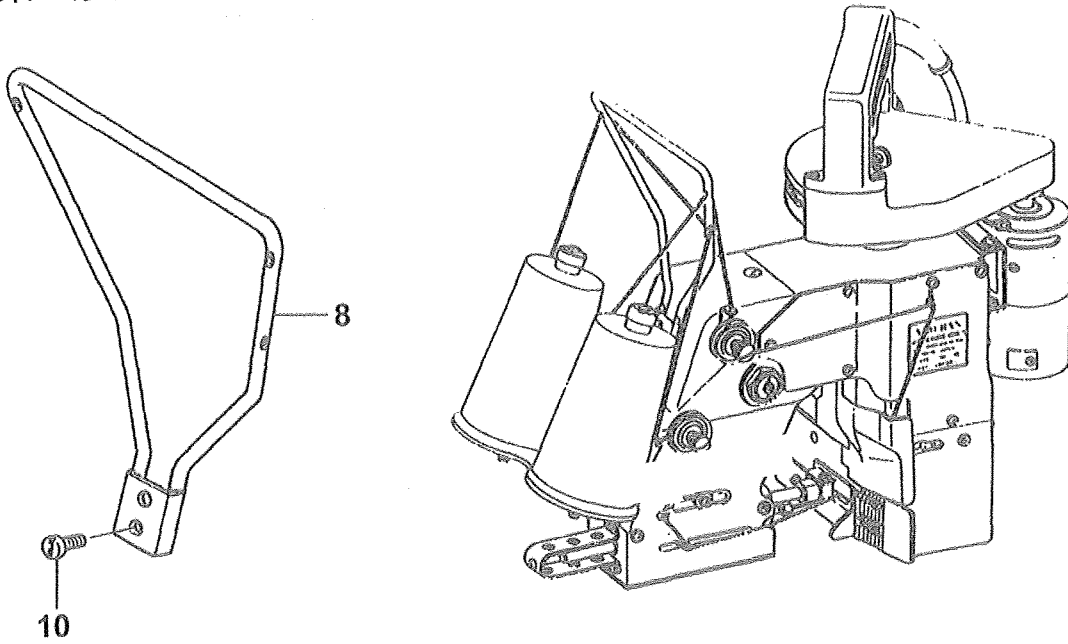
— INDUSTRIAL SEWING & CUTTING EQUIPMENT

400 VETERANS BLVD, CARLSTADT, NJ 07072

CONTENTS 目次

- (1) THREAD STAND AND THREAD TENSION PARTS.....2~2-1
線架、沙拉組零件
- (2) MAIN FRAME, BUSHINGS AND OILING PARTS.....3~3-1
主體、套筒及供油零件
- (3) NEEDLE BAR, PRESSER BAR AND DRIVING PARTS.....4~4-1
針棒、押棒和傳動零件
- (4) LOOPER DRIVING PARTS5~5-1
LOOPER傳動機構零件
- (5) FEED DRIVING AND THREAD CUTTER PARTS.....6~6-1
送料機構和切刀架組零件
- (6) MOTOR, PARTS.....7~7-1
馬達、手把組件

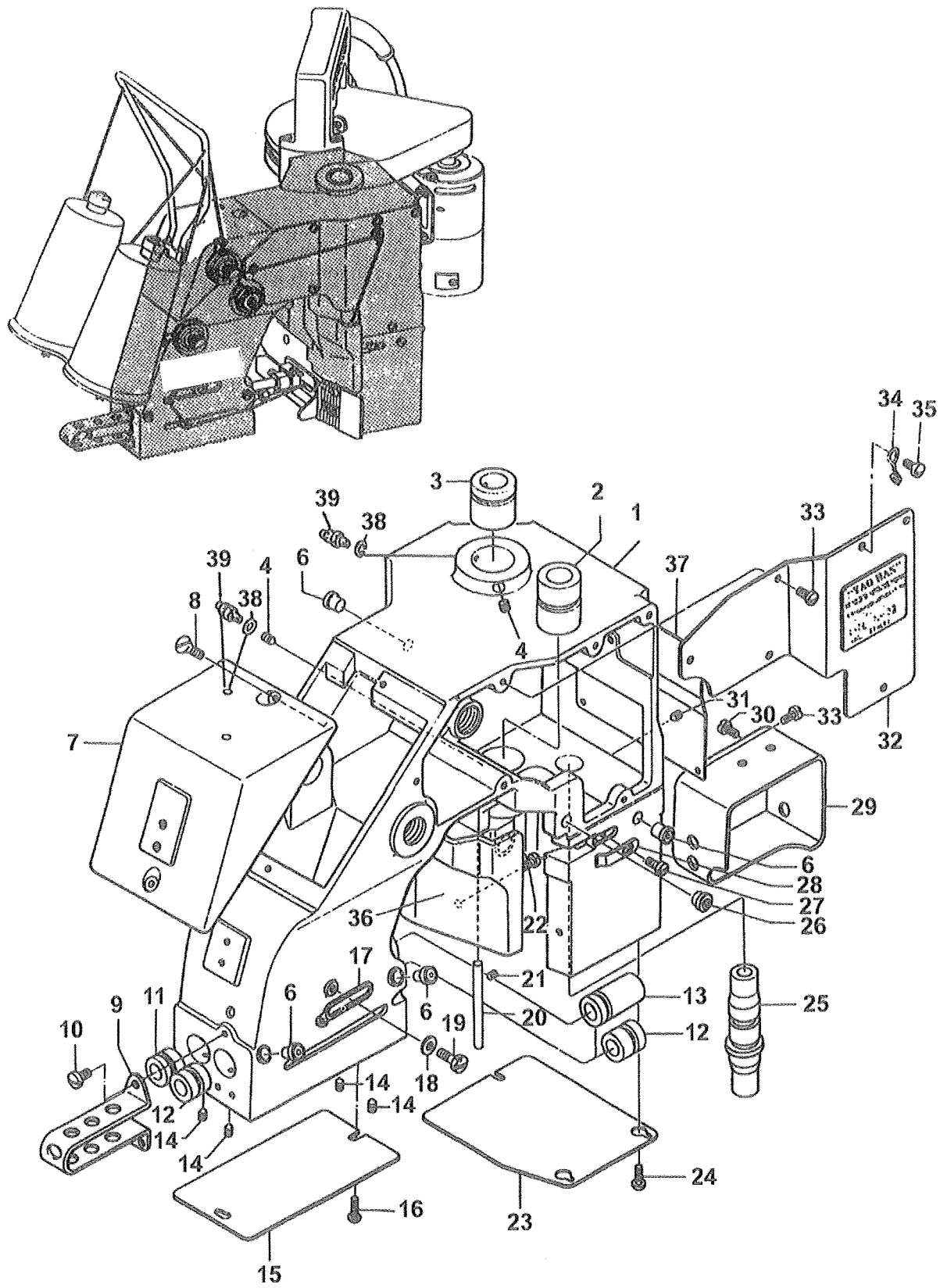
(1) THREAD STAND AND THREAD TENSION PARTS
 線架、沙拉組零件



(1)THREAD STAND AND THREAD TENSION PARTS
線架、沙拉組零件

Ref. No. 圖 號	Part No. 零件編號	Description 零 件 名 稱	Q'ty 個數	Remarks 摘 要
1	3200201	Thread Cone Clamping Nut 螺帽	2	
2	3200202	Thread Cone Clamping Rod 線柱	2	
5	3200205	Thread Cone Stand 線架	1	
6	3200206	Screw, for 3200201 螺絲SM3/16x28	2	
8	3200208	Thread Guide Holder 引線架固定座	1	
10	3200210	Screw, for 3200208 螺絲SM11/64x40	2	
11	6001010	Thread Tension Eyelet 沙拉組線孔架	2	
12	3200212	Thread Tension Assembly, for Looper 沙拉組(下)	1	(13 17)
13	6001012	Tension Post 調整螺栓	2	
14	6001013	Tension Disc 壓線盤	4	
14-1	6001014-1	Washer 華司	2	
15	3200215	Tension Spring 壓線彈簧	1	
16	6001015	Tension Nut 調整螺帽	4	
17	6001016	Screw, for 6001012 螺絲SM9/64x40	2	
18	6001011	Thread Tension Assembly, for Needle 沙拉組(上)	1	(13,14,16,
19	3200219	Tension Spring 壓線彈簧	1	17,19)

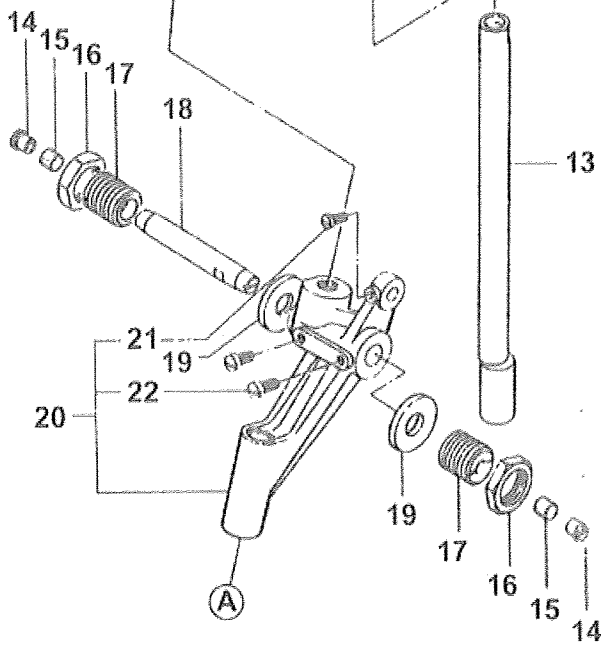
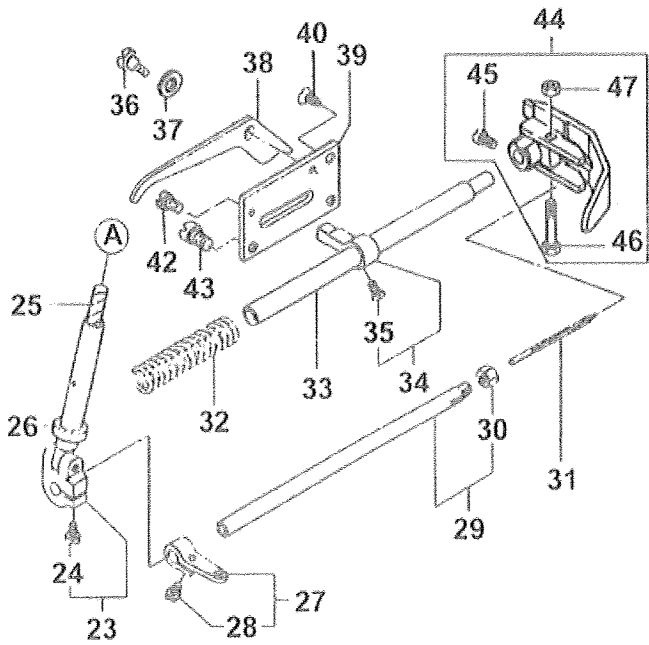
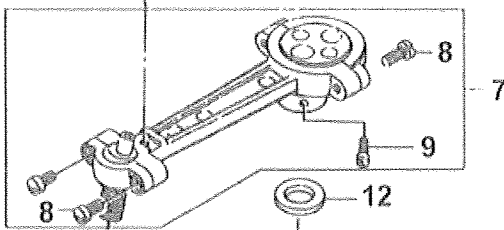
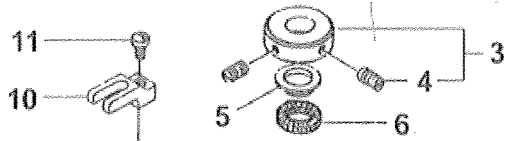
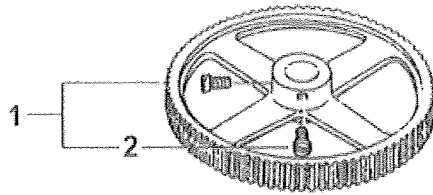
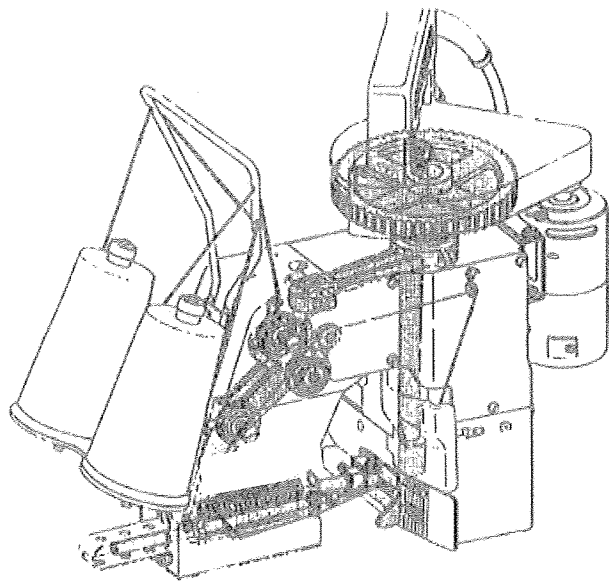
(2) MAIN FRAME, BUSHINGS AND OILING PARTS
 主體、套筒及供油零件



(2)MAIN FRAME, BUSHINGS AND OILING PARTS
主體、套筒及供油零件

Ref. No. 圖 號	Part No. 零件編號	Description 零 件 名 稱	Q'ty 個數	Remarks 摘 要
1	3200401	Main Frame	主體	1
2	6001225	Main Shaft Bushing, Front	主軸套筒(前)	1
3	6001213	Main Shaft Bushing, Rear	主軸套筒(後)	1
4	3200404	Screw	螺絲SM11/64x40	2
6	3200406	Cap	注油孔	5
7	3200407	Top Cover	上蓋	1
8	3200408	Screw, for 3200407	螺絲SM11/64x40	2
9	3200409	Needle Bar Guard	針棒護板	1
10	6001023	Screw, for 3200409	螺絲SM9/64x40	3
11	3200411	Presser Bar Bushing, upper	押棒套筒(上)	1
12	3200412	Needle Bar Bushing	針棒套筒	2
13	3200413	Presser Bar Bushing, Lower	押棒套筒(下)	1
14	6001222	Screw, For 3200411, 3200412, 3200413	螺絲SM9/64x40	4
15	3200415	Face Plate	面板	1
16	6001023	Screw, for 3200415	螺絲SM9/64x40	2
17	3200417	Thread Controller, for Needle	引針線	1
18	6001416	Washer	華司	1
19	3200419	Screw	螺絲SM3/16x28	1
20	3200420	Looper Cover Hinge Pin	固定梢	1
21	3200421	Screw, for 3200420	螺絲SM9/64x40	1
22	3200422	Looper Cover Extension Lock Screw	螺絲SM9/64x40	1
23	3200423	End Cover	面板(下)	1
24	6001023	Screw, for 3200423	螺絲SM9/64x40	3
25	3200425	Looper Rocker Shaft Bushing	套筒	1
26	6022603	Thread Guide Bushing, for Looper	過線套管	1
27	6001451	Looper Cover Extension Lock Screw	螺絲SM9/64x40	1
28	3200428	Looper Cover Extension Lock Spring	護蓋鎖定彈片	1
29	3200429	Feed Bocker Cover	護蓋	1
30	6001023	Screw, for 3200429	螺絲SM9/64x40	2
31	6001222	Screw, for 3200425	螺絲SM9/64x40	1
32	3200432	Side Cover	側蓋	1
33	6001023	Screw, for 3200432, 3200437	螺絲SM9/64x40	9
34	3200434	Thread Guide Wire, for Looper	過線	1
35	6001009	Screw, for 3200434	螺絲SM9/64x40	1
36	3200436	Cover	護蓋	1
37	3200437	Inside Cover	底蓋	1
38	3200438	Washer	華司	2
39	3200439	Joint	油嘴	2

(3) NEEDLE BAR, PRESSER BAR AND DRIVING PARTS
 針棒、押棒和傳動零件

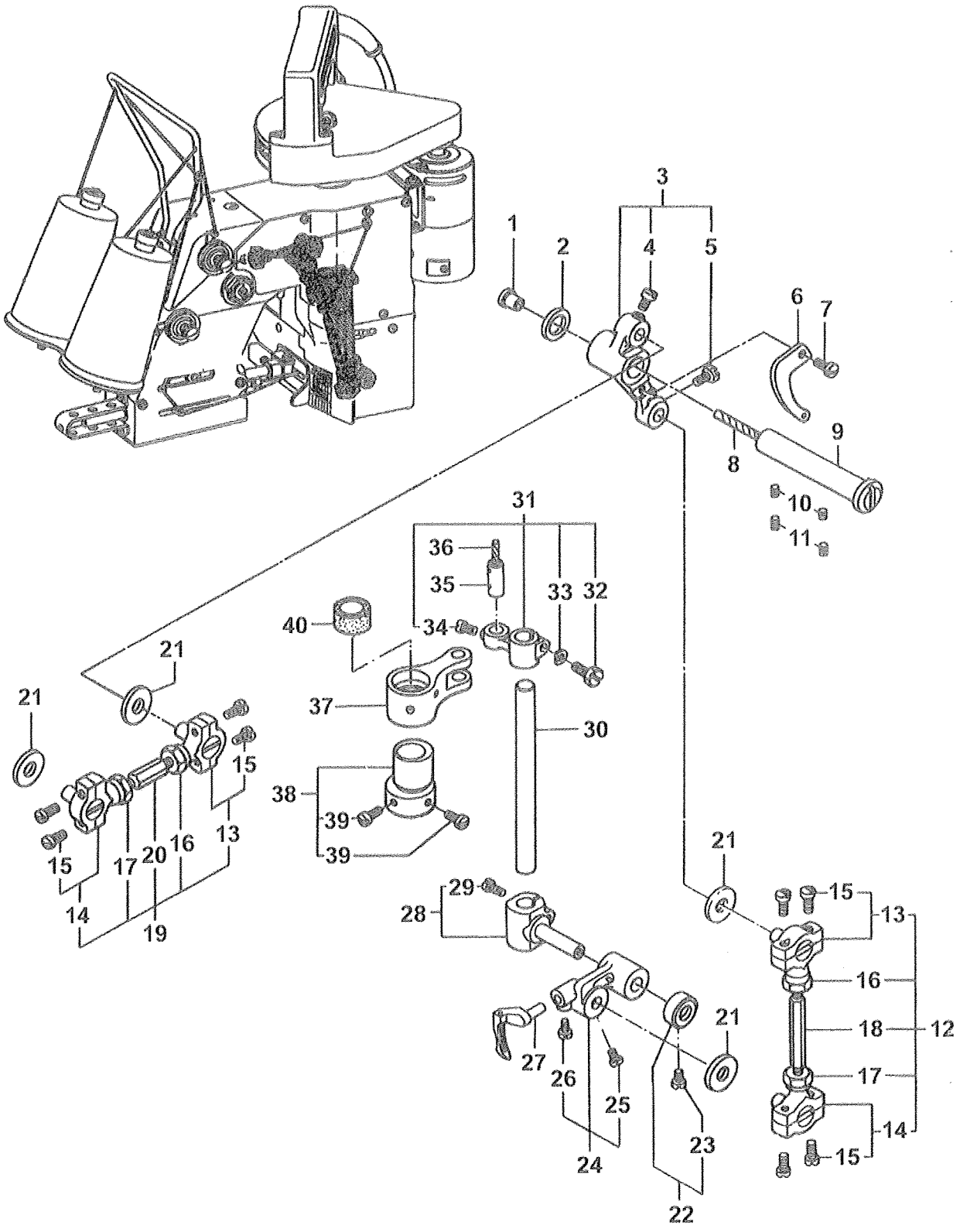


(3)NEEDLE BAR, PRESSER BAR AND DRIVING PARTS

針棒、押棒和傳動零件

Ref. No. 圖號	Part No. 零件編號	Description 零件名稱	Q'ty 個數	Remarks 摘要
1	3200601	Synchro Pulley	皮帶輪	1
2	6001402	Screw	螺絲SM3/16x28	2
3	6001403	Retaining Collar	固定環	1
4	3200604	Screw, for 6001403	螺絲SM11/64x40	2
5	6001405	Spacer	墊片	1
6	6001224	Oil Felt	油棉	1
7	3200607	Needle Lever Connecting Rod Assembly	上下連桿組	1
8	3200608	Screw, For Needle Lever Connecting Rod Cap	螺絲SM11/64x40	4
9	6001411	Screw, For Eccentric Cam	螺絲SM9/64x40	2
10	3200610	Ball Stud Fort	雙頭螺栓引座	1
11	3200611	Screw, For 3200610	螺絲SM9/64x40	1
12	6001224	Oil Felt	油棉	1
13	3200613	Main Shaft	主軸	12
14	3200406	Push Oilcup	注油孔	2
15	3200615	Oil Felt	油棉	2
16	6001421	Nut, for 6001422	螺帽	2
17	6001422	Adjusting Stud	調整螺絲	1
18	3200618	Needle Lever Stud	連桿軸	2
19	6001423	Oil Felt	油棉	1
20	3200620	Needle Lever Assembly	針棒上下組	1 (21-22)
21	3200210	Screw, for 3200819	螺絲SM11/64x40	2
22	3200622	Screw, for 3200620	螺絲SM3/16x28	1
23	3200623	Needle Bar Connection Assembly	針棒連桿組	1 (24)
24	6001430	Screw, for 3200623	螺絲SM11/64x40	1
25	6001429	Oil Felt	油棉	1
26	6001427	Oil Felt	油棉	1
27	3200627	Thread Take-Up, for Needle	針棒天秤	1 (28)
28	6001435	Screw, for 3200627	螺絲SM11/64x40	1
29	3200629	Needle Bar With Nut	針棒組	1 (30)
30	3200630	Needle Lock Nut	針棒螺帽	1
31	6001433	Needle (Dnx1#25)	針	1
32	6001440	Presser Spring	押棒彈簧	1
33	3200633	Presser Bar	押棒	1
34	6001438	Presser Bar Connection	押棒	1
35	6001430	Screw, for 6001438	螺絲SM11/64x40	1
36	6001450	Screw, for 6001446	螺絲SM11/64x40	1
37	3200637	Washer, For 6001446	華司	1
38	6001446	Presser Foot Litter	押腳上下手把	1
39	6001434	Presser Foot Litter Base	押腳上下基座	1
40	6001436	Screw, for 6001434	螺絲SM11/64x40	2
42	6001451	Presser Foot Litter Stopper Screw	螺絲SM9/64x40	1
43	6001435	Screw, for 6001434	螺絲SM11/64x40	1
44	3200644	Presser Foot Assembly	押腳組	1
45	6001444	Screw, for Presser Foot Shank	螺絲SM11/64x40	1
46	6001442	Presser Foot Hinge Screw	螺絲SM9/64x40	1
47	6001443	Nut, for Presser Foot Hinge Screw	螺帽	1

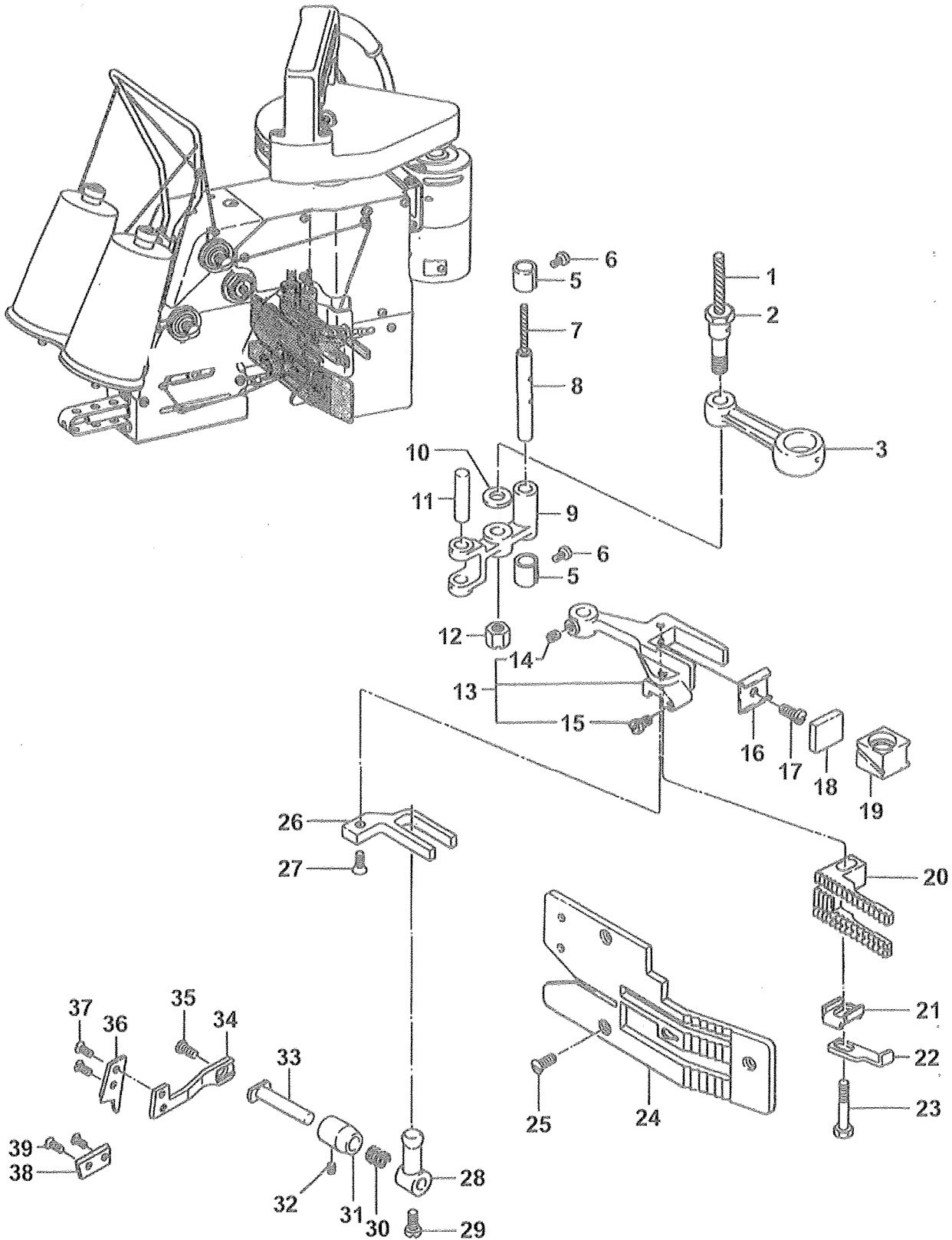
(4) LOOPER DRIVING PARTS
 LOOPER傳動機構零件



(4)LOOPER DRIVING PARTS
 LOOPER傳動機構零件

Ref. No. 圖 號	Part No. 零件編號	Description 零 件 名 稱	Q'ty 個數	Remarks 摘 要
1	3200406	Push Oil Cup	注油孔	1
2	3200802	Spacer	墊片	1
3	3200803	Looper Ball Crank	曲柄	1
4	6001821	Screw, for 3200819	螺絲SM11/64x40	1 (4,5)
5	6001821	Screw, for 3200812	螺絲SM11/64x40	1
6	3200806	Thread Take-Up, for Looper	天秤	1
7	6001023	Screw, for 3200806	螺絲SM9/64x40	1
8	6001429	Oil Felt	油棉	1
9	3200809	Looper Ball Crank Hinge Stud	曲柄軸	1
10	3200810	Screw, for 3200809	螺絲SM15/64x28	2
11	3200811	Screw, for 3200809	螺絲SM15/64x28	2
12	3200812	Ball Joint Rod Assembly	球型連桿組	1 (13-18)
13	3200813	Ball Joint Assembly	球型連桿組	2 (15)
14	3200814	Ball Joint Assembly	球型連桿組	2 (15)
15	3200815	Screw, for Ball Joint	螺絲SM9/64x40	8
16	3200816	Nut, for Ball Joint Rod	螺帽	2
17	6002410	Nut, for Ball Joint Rod	螺帽	2
18	3200818	Ball Joint Rod	六腳螺栓	1
19	3200819	Ball Joint Rod Assembly	球型連桿組	1 (13-17,20)
20	3200820	Ball Joint Rod	六腳螺栓	1
21	3200821	Fiber	墊片	4
22	3200822	Looper Rocket Collar	固定環	1 (23)
23	3200823	Screw, for 3200822	螺絲SM11/64x40	1
24	3200824	Looper Rocket	彎針台	1 (25,26)
25	3200825	Screw, for 3200812	螺絲SM11/64x40	1
26	3200825	Screw, for 3200827	螺絲SM11/64x40	1
27	3200827	Looper	彎針	1
28	3200828	Looper Rocket Frame	彎針搖動架	1 (29)
29	3200829	Screw, for 3200828	螺絲SM11/64x40	1
30	3200830	Looper Rocket Shaft	彎針搖動軸	1
31	3200831	Looper Rocket Shaft Arm	彎針搖動臂	1 (32-34)
32	6001415	Screw, for 3200831	螺絲SM11/64x40	1
33	3200833	Washer, for 3200831	華司	1
34	6001411	Screw, for 3200835	螺絲SM11/64x40	1
35	3200835	Link Pin	連結梢	1
36	3200836	Oil Felt	油棉	1
37	3200837	Looper Avoild Link	軸套	1
38	3200838	Looper Avoild Eccentric	偏心軸套	1 (39)
39	6001411	Screw, for 3200838	螺絲SM11/64x40	2
40	3200840	Oil Felt	油棉	1

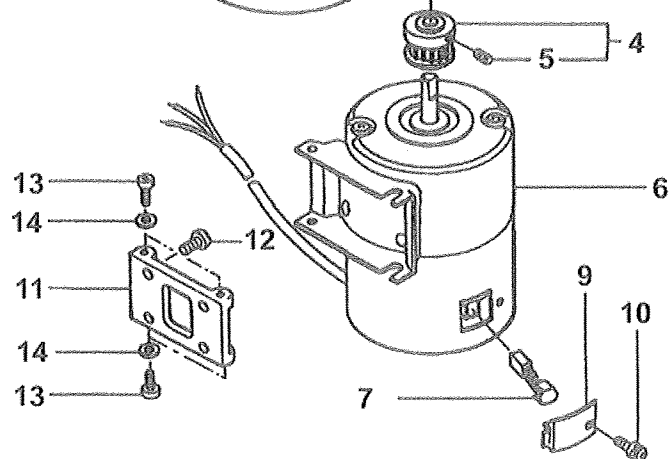
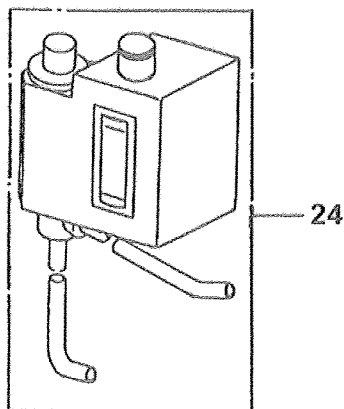
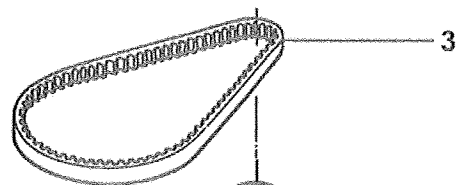
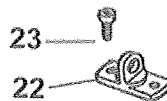
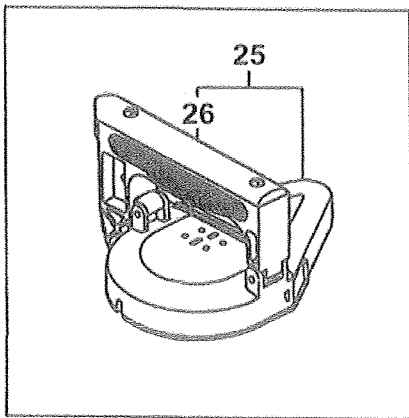
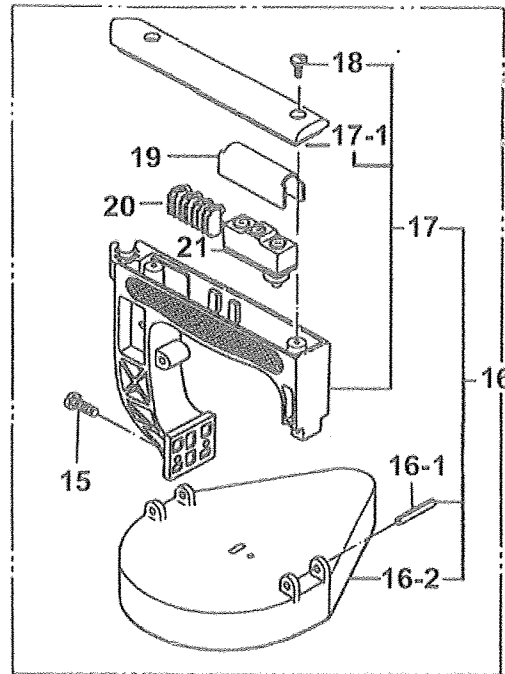
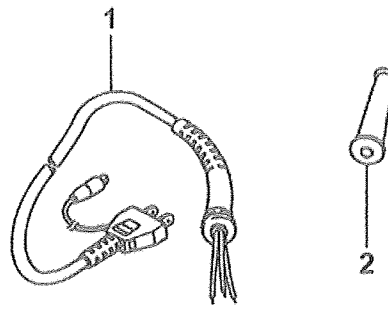
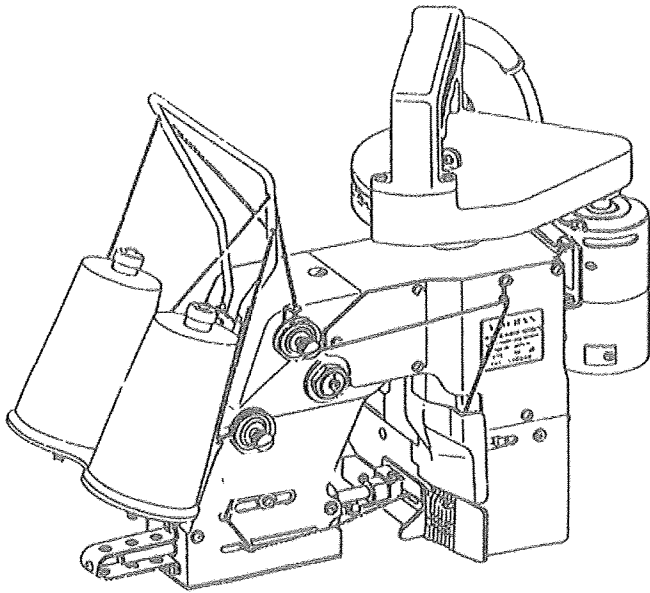
(5) FEED DRIVING AND THREAD CUTTER PARTS
 送料機構和切刀架組零件



(5)FEED DRIVING AND THREAD CUTTER PARTS
送料機構和切刀架組零件

Ref. No. 圖 號	Part No. 零件編號	Description 零 件 名 稱	Q'ty 個數	Remarks 摘 要
1	3201001	Oil Felt	油棉	1
2	3201002	Feed Rocker Connecting Rod Pin	連桿螺栓	1
3	3201003	Feed Rocker Connecting Rod	送料螺栓	1
5	3201005	Feed Rocker Shaft Bushing	套筒	2
6	6001435	Screw, for 3201005	螺絲SM11/64x40	2
7	3201007	Oil Felt	油棉	1
8	3201008	Feed Rocker Shaft	送料軸	1
9	3201009	Feed Rocker	材料推動架	1
10	3201010	Washer For 3201002	華司	1
11	3201011	Feed Bar Shaft	連結棒	1
12	3201012	Nut, for 3201002	螺帽	1 (14,15)
13	3201013	Feed Bar	送料土台	1
14	6001404	Screw, for 3201011	螺絲SM11/64x40	1
15	6001451	Feed Dof Height Adjusting Screw	螺絲SM11/64x40	1
16	3201016	Lubrication Felt Holder	油棉架	1
17	3201017	Screw, for 3201016	螺絲SM11/64x40	1
18	3201018	Lubrication Felt	油棉	1
19	3201019	Feed Lifting Block	送料滑塊	1
20	3201020	Feed Dog	狗齒	1
21	3201021	Needle Guart Holder	針棒護板架	1
22	3201022	Needle Guart	針棒護板	1
23	3201023	Screw, for 3201020	螺絲SM11/64x40	1
24	3201024	Throat Plate	針板	1
25	6001007	Screw, for 3201024	螺絲SM11/64x40	3
26	3201026	Knife Bracket Extension	切刀活動導架	1
27	3200210	Screw, for 3201026	螺絲SM11/64x40	1
28	3201028	Knife Bracket Extension Ball	切刀架活動桿	1
29	6001009	Screw, for 3201028	螺絲SM11/64x40	1
30	6001826	Knife Tension Spring	切刀架彈簧	1
31	3201031	Knife Bracket Pin Bushing	套筒	1
32	6001222	Screw, for 3201031	螺絲SM11/64x40	1
33	3201033	Knife Bracket Pin	切線軸	1
34	3201034	Knife Bracket	切刀托架	1
35	6001009	Screw, for 3201034	螺絲SM11/64x40	1
36	6001828	Knife, Moving	切刀(上)	1
37	6001829	Screw, for 6001828	螺絲SM11/64x40	2
38	6001830	Knife, Stationary	切刀(下)	1
39	6001829	Screw, for 6001830	螺絲SM11/64x40	2

(6)MOTOR, PARTS
馬達、手把組件



(6)MOTOR, PARTS
馬達、手把組件

Ref. No. 圖 號	Part No. 零件編號	Description 零 件 名 稱	Q'ty 個數	Remarks 摘 要
1	6002001	Cabtyer Cord, With Plug (Plane Type) 110V	1	
	6002001-2	Cabtyer Cord, 220V	1	
2	6002002	Rubber Bushing	1	
3	6002015	Timing Belt (170XL)	1	
4	6002004	Motor Pulley	1	
5	6002005	Screw	1	
6	3201206	Universal Motor 110V (8500 RPM)	1	
	3201206-1	Universal Motor 220V (8500 RPM)	1	
	3201206-2	Universal Motor 240V (8500 RPM)	1	
7	6002007	Carbon Brush (Size 6x8x15)	1	
9	6002009	Cap	1	
10	6002010	Screw	1	
11	6002011-1	Motor Base	1	
12	6001212	Screw	1	
13	6001415	Screw	2	
14	6002014	Washer	2	
15	6001212	Screw	1	
16	6001202	Handle Assembly	1	
16-1	6001202-1	Pin	1	
16-2	6001202-2	Cover	1	
17	6001203	Handle	1	
17-1	6001203-1	Cover Handle	1	
18	6001016	Screw	1	
19	6001205	Micro Switch Cover (CE)	1	
20	6001207	Flexible Terminal Block (CE)	1	
21	6001206	Micro Switch	1	
22	6002016	Hanger Hook	1	
23	6002017	Screw	1	
24	3201224	Pump Oiler With Oil Tube	1	
25	6001229	Handle Assembly And Switch	1	
26	6001230	Handle and Switch	1	

